

FL05 Flood / Area Light

60W/80W/100W | 3CCT | 120-347V



Flood / Area lighting has never been easier with all the features you will ever need in one sleek, attractive package. Stocked in Black and Bronze for quick shipping!

PRODUCT CODES: FL05-100W-3P-3CCT-UD-BK, FL05-100W-3P-3CCT-UD-BZ



Mounting Sold Separately
 see reverse for mounting options

Available in Black (BK)
 or Bronze (BZ) Finishes

Power Selectable
 60W / 80W / 100W

Colour Selectable
 3000K / 4000K / 5000K


120-347V Universal Driver
 0-10V dimming

Rugged Die Cast
 Aluminum Housing



Photocell and Sensor Compatible

Easy Field Interchangeable
 Optics (Sold Separately)



DarkSky approved when set to 3000K and used with optional Fixed Mount (sold separately)

Certified by DarkSky.org

TECHNICAL DATA



LIGHT SPECIFICATIONS

Efficacy	128.33 lm/W
CCT	3000K/4000K/5000K
CRI	84
Distribution	Type III
Dimmable	0-10V
L70 Life	50,000 hrs
Warranty	10-year
Factory Settings	100W 4000K Type 3

LUMEN OUTPUT			
	3000K	4000K	5000K
60W	8825 lm	9166 lm	9216 lm
80W	11228 lm	11913 lm	11748 lm
100W	13306 lm	14865 lm	14483 lm

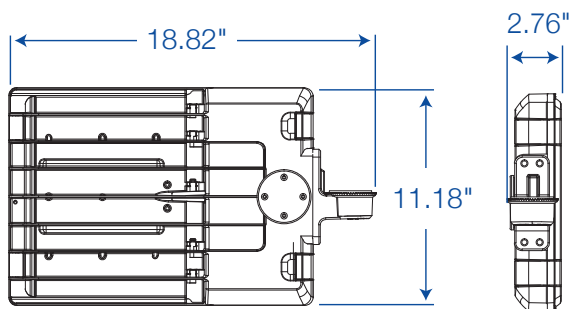
APPROVALS & LISTINGS

cUL	E482965
DLC Premium	S-2YSG04, S-1MIKA7

DIMENSIONS AND WEIGHTS

Fixture Weight	10.12 lbs
Fixture Dimensions	18.8 x 2.8 x 11.2 in
Carton Qty	1
Carton Weight	11.88 lbs
Carton Dimensions	20.47 x 4.84 x 13.15 in

DIMENSIONAL DRAWINGS (IN)



*Where XX Denotes Finish Colour - BK or BZ

**Photocell Receptacle is REQUIRED for use with Photocell

ELECTRICAL

Wattage	60W/80W/100W
Voltage	120-347V
Current	1A
Surge Protection	10kV
Auxiliary Output	12V
Power Factor	0.9
THD	15%
Operating Temp	-40 to 50°C
Operating Temp (with Sensor)	-30 to 50°C

CONSTRUCTION

Power Cord	78"
Housing	Die-Cast Aluminum
Lens	Polycarbonate
Finish	Powder Coated
Finish Colour	Black or Bronze
IP Rating	IP65
EPA	1.6 ft ²

ACCESSORIES* (Sold Separately)

Slip Fitter	FL-SF01-XX
Fixed Mount	FL-FM01-XX
Multi Mount	FL-MM01-XX
Pole Mount	FL-PM01-XX
Trunnion Mount	FL-TR01-XX
Yoke Mount	FL-YM01-SM-XX
Microwave Motion Sensor	MS04-MW-TW-DC
PIR Motion Sensor	MS01-PIR-TW-DC
Motion Sensor Remote	MS04-RC
Type II Lens	FL-TYPE-II-SM
Type IV Lens	FL-TYPE-IV-SM
Type V Lens	FL-TYPE-V-SM
Visor	FL-VISOR01-SM-XX
Photocell (120-277V)	JL-205LV
Photocell (347V)	JL-207E
Photocell Receptacle**	JL-200
Shorting Cap	JL-208

MOUNTING OPTIONS (SOLD SEPARATELY)



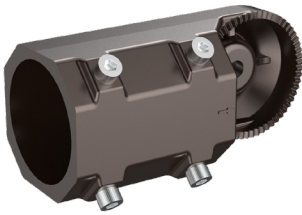
Trunnion Mount

FL-TR01-BK
FL-TR01-BZ



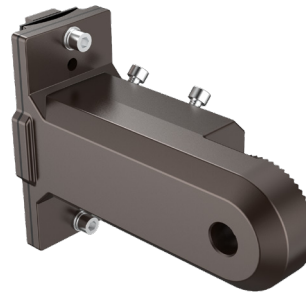
Fixed Mount

FL-FM01-BK
FL-FM01-BZ



Slip Fitter

FL-SF01-BK
FL-SF01-BZ



Multi Mount

FL-MM01-BK
FL-MM01-BZ



Yoke Mount

FL-YM01-SM-BK
FL-YM01-SM-BZ



Pole Mount

FL-PM01-BK
FL-PM01-BZ

*Where XX Denotes Finish Colour - BK or BZ



FL05 Flood Light pictured
without mount



FL05 Flood Light pictured
with optional **Trunnion Mount**

HEAD OFFICE: 8 - 540 Jamieson Pkwy, Cambridge, ON, N3C 0G5 | orders@csc-led.com | (519) 880 - 9833